

**INSTALLATION INSTRUCTIONS**  
**DESCRIPTION: Audio System Kit**  
**PART NUMBER: B5H-H81C0-V0**  
**MODEL: '19~ YXZ1000R**



**⚠ WARNING**

**Please read and understand these instructions completely before installation to avoid possible injury, or damage to the accessory or vehicle.**

**NOTICES:**

This installation requires a torque wrench and should be performed by an authorized Yamaha dealer or other qualified technician.

**WARRANTY INFORMATION:**

In the United States, see your Yamaha dealer for a copy of the Genuine Yamaha Accessories Limited Warranty statement.

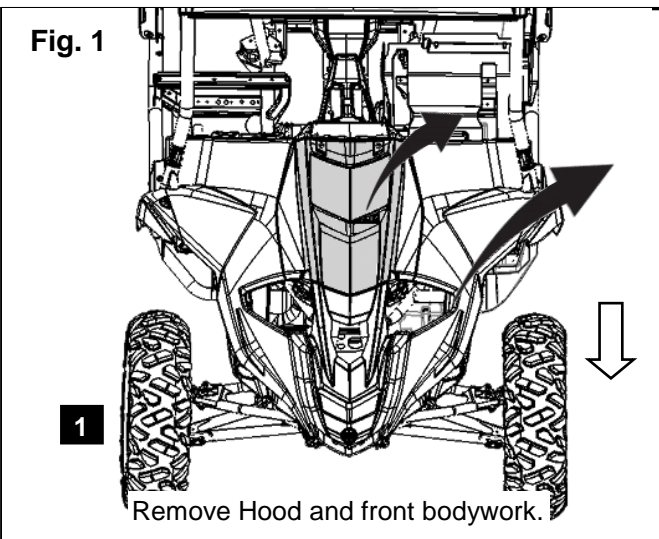
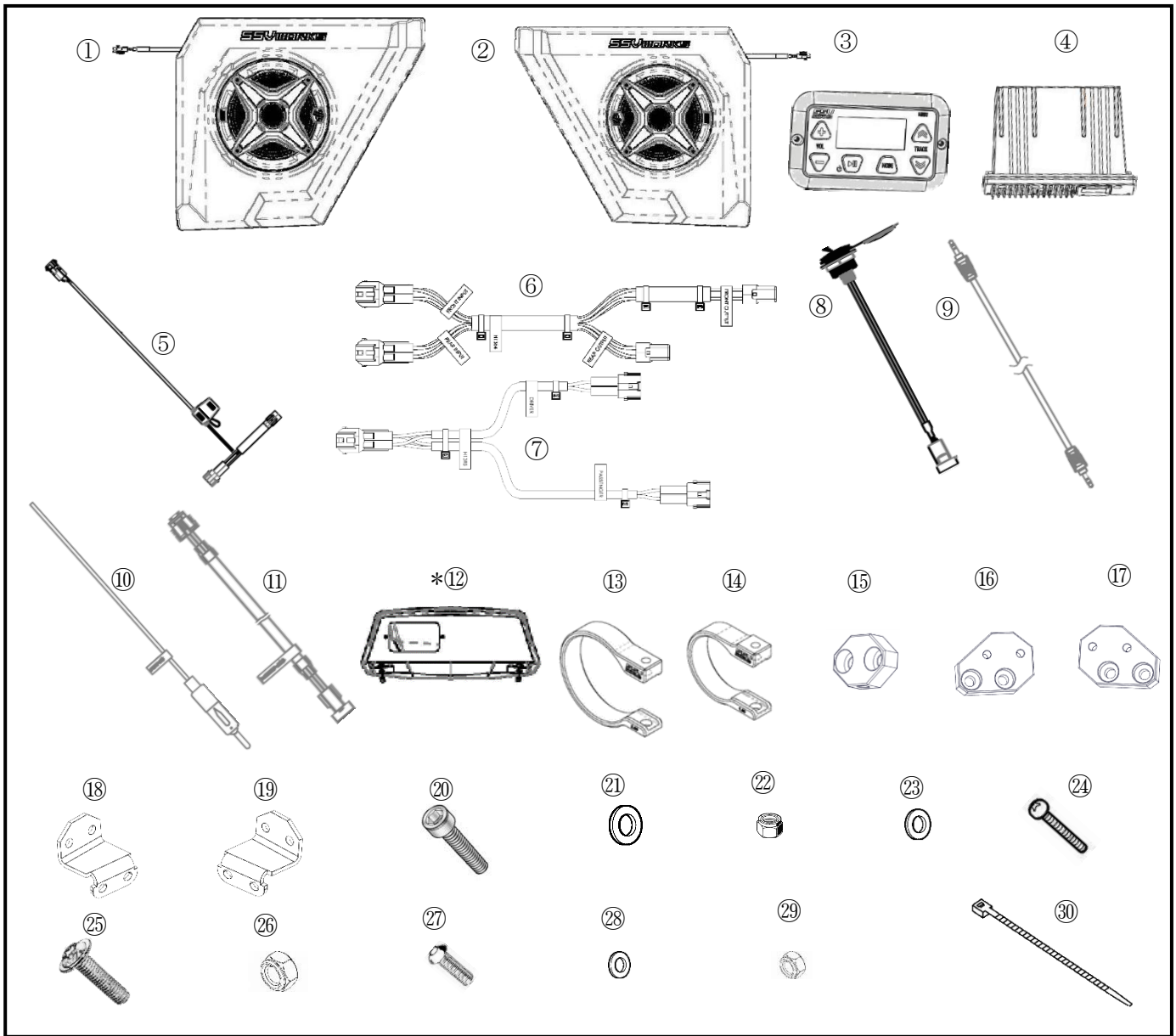
**DEALER OR INSTALLER:**

These instructions contain important information for future reference and *must* be given to the customer.

**COMPONENTS NOT INCLUDED:** 2nd Battery Kit p/n **B5H-H21B0-V0**, Rear speaker pods p/n **B5H-H81D0-V0**, Powered Subwoofer p/n **B5H-H81D0-T0**

**PARTS LIST:** \* Part supplied with kit only and not available separately

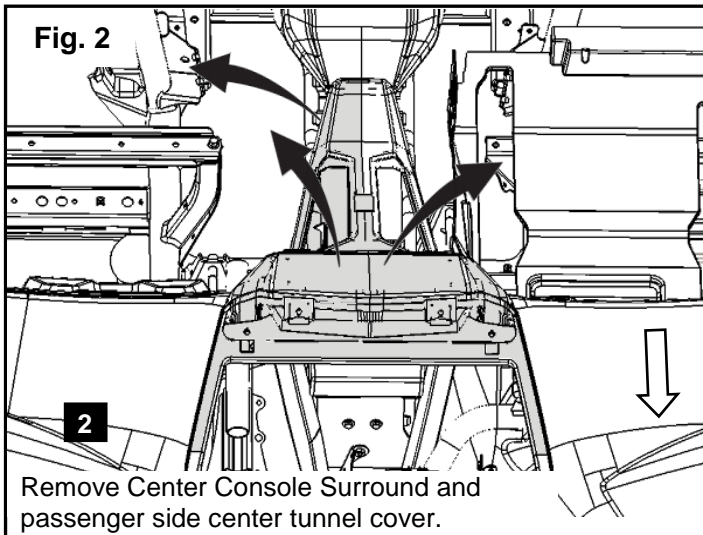
No.	Part Number	Description	Qty
--	B5H-H81C0-V0	Audio System Kit	--
①	*	Left Side Speaker	1
②	*	Right Side Speaker	1
③	*	Controller/Tuner	1
④	*	Brain Box	1
⑤	*	Power Cable	1
⑥	*	Main Speaker Cable	1
⑦	*	Front Speaker Cable	1
⑧	*	Aux Audio Input Cable	1
⑨	*	Male to Male Cable	1
⑩	*	FM Antenna	1
⑪	*	Aux Audio Input Extension Cable	1
⑫	*	Gauge Pod Kit • <i>Unassembled.</i>	1
⑬	*	Clamp 1.75"	4
⑭	*	Clamp 1.5"	2
⑮	*	Lug	6
⑯	*	Lug Offset Adapter 1	2
⑰	*	Lug Offset Adapter 2	2
⑱	*	Lug Offset Bracket Left	1
⑲	*	Lug Offset Bracket Right	1
⑳	*	M6x45mm Socket Head Cap Screw	6
㉑	*	M6 Washer	6
㉒	*	M3 Nylok Nut	2
㉓	*	M3 Washer	2
㉔	*	M3 x 30mm Screw	2
㉕	*	M6x16mm Torx Bolt	24
㉖	*	M6 Lock Nut	4
㉗	*	M5x16mm Screw	4
㉘	*	M5 Washer	4
㉙	*	M5 Nylok Nut	4
㉚	*	Cable Ties	10



**PREPARATION**

- Place the vehicle on a secure and level surface.
- Set the parking brake.
- Clean the mount surfaces before starting installation.

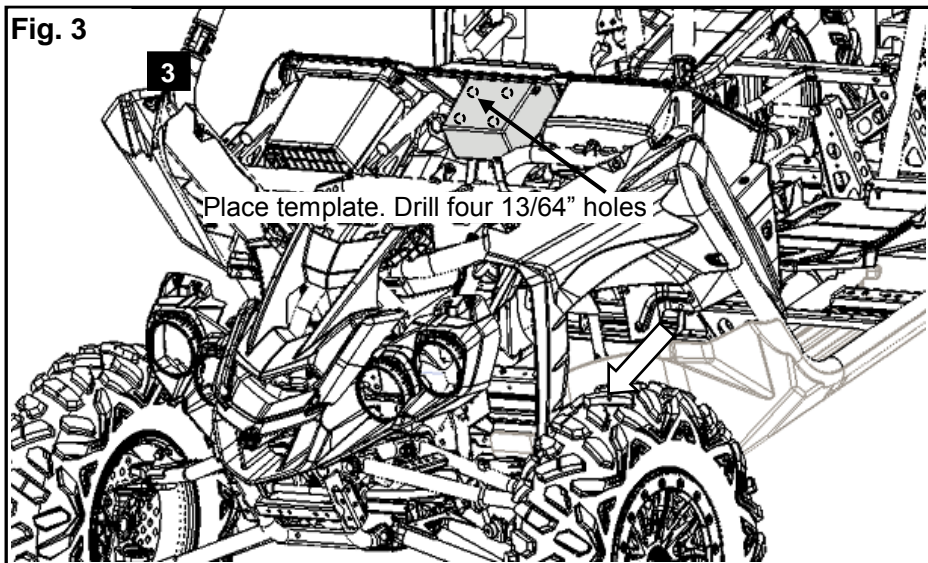
- 1** Remove hood and bodywork on the front of the vehicle – refer to the service manual. See Fig. 1
- 2** Remove the passenger side interior panel. Remove the center console surround trim panel in the front, and remove the panel on the right side of center tunnel cover. Retain all hardware for reuse. See Fig.2.



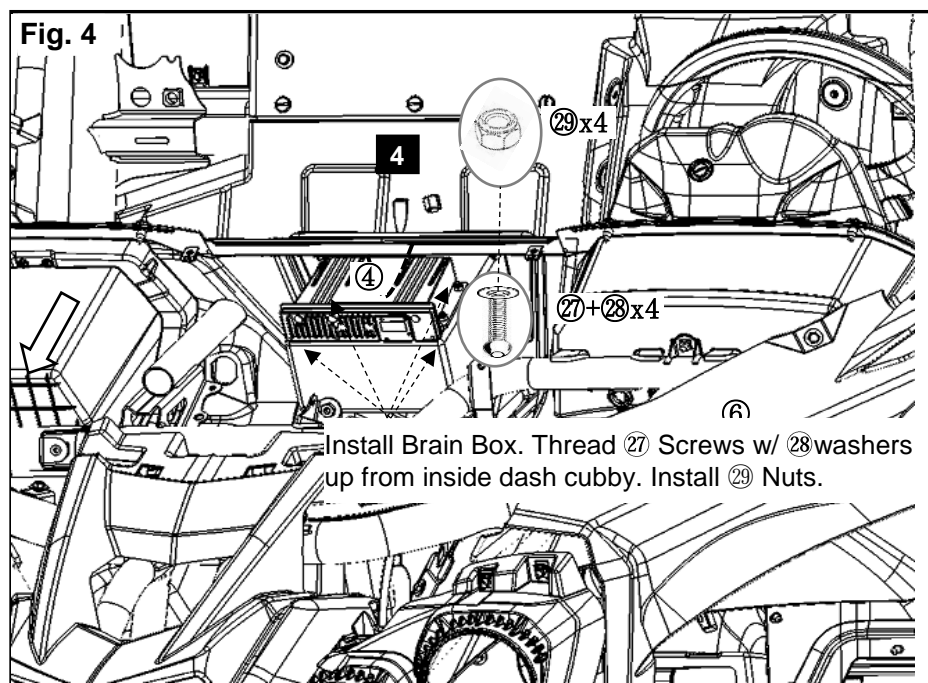
Remove Center Console Surround and passenger side center tunnel cover.

**3** Cut out the brain box template (last page of this instruction). Refer to Fig. 4 and place the template on the top of the dash cubby, mark the drill locations. Use a 13/64" drill bit, and use shallow penetration to drill out the four holes. See Fig. 4.

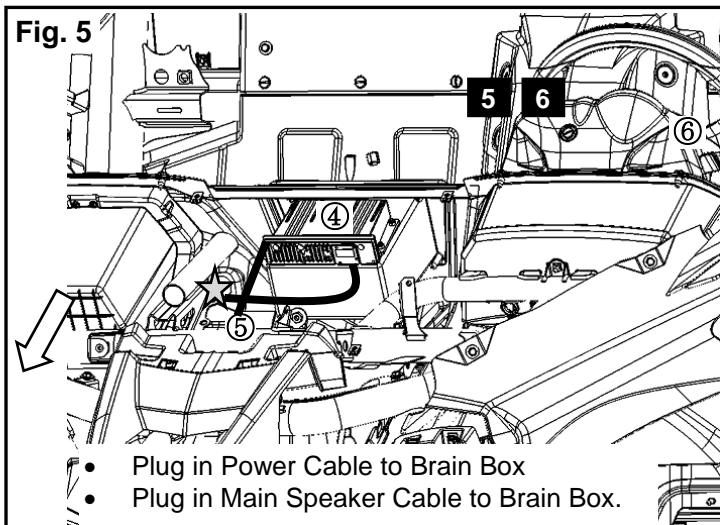
**4** Mount the **4** Brain Box with four M5x16mm screws with **28** M5 Washers. Install the screws from inside the dash cubby. Thread the **29** M5 Nylok® Nuts on to the screws from the top. Tighten nuts.



Place template. Drill four 13/64" holes



Install Brain Box. Thread **27** Screws w/ **28**washers up from inside dash cubby. Install **29** Nuts.



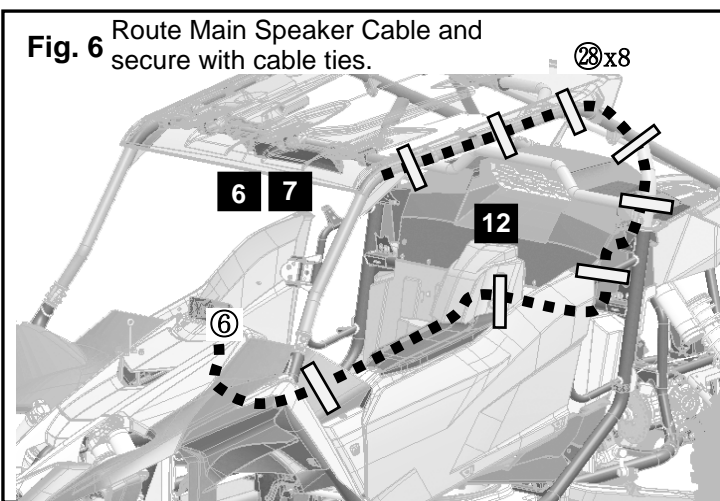
**Fig. 5**

- Plug in Power Cable to Brain Box
- Plug in Main Speaker Cable to Brain Box.

**5** Separate the connectors on the stock 12V Accessory outlet plug cable. Insert the **5** Power Cable into the 12V accessory outlet plug cable run. Note the location of the plug “★” near the center of the firewall in Fig. 5. Plug **5** Power Cable into **4** Brain Box.

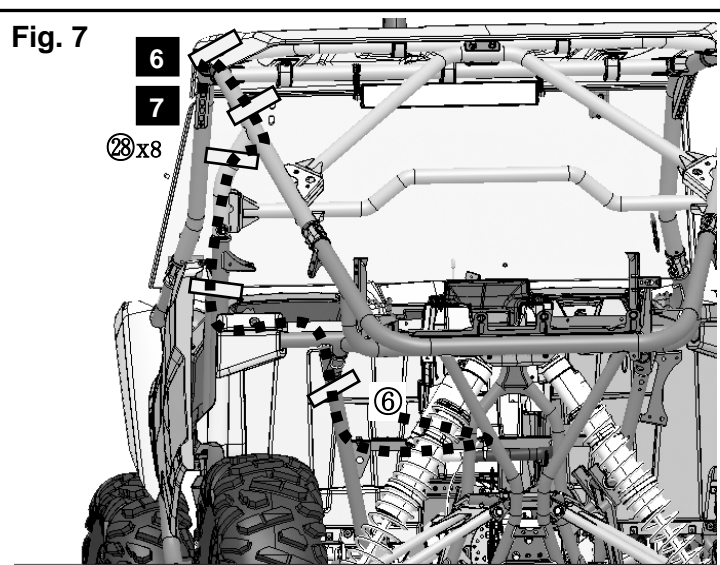
**6** Plug 2 female connectors from the **6** Main Speaker Cable to the **4** Brain Box. Route Main speaker cable back into vehicle along the center tunnel on the passenger side, up behind the driver seat, across the rear frame tube, out through the seat belt opening, up the driver side B pillar along the inside of ROPS tube(s).

**7** Loosely secure cable with **28** Cable Ties as you route them. Leave enough slack to adjust the cables. See Fig. 6 and Fig. 7.



**Fig. 6** Route Main Speaker Cable and secure with cable ties.

**Note:** The front speaker connector should be just forward of the ROPS cross bar joint. Rear Speaker Pod connection is included in Main Harness and locates at rear ROPS cross tube. This plug is only used if rear speaker pods are installed



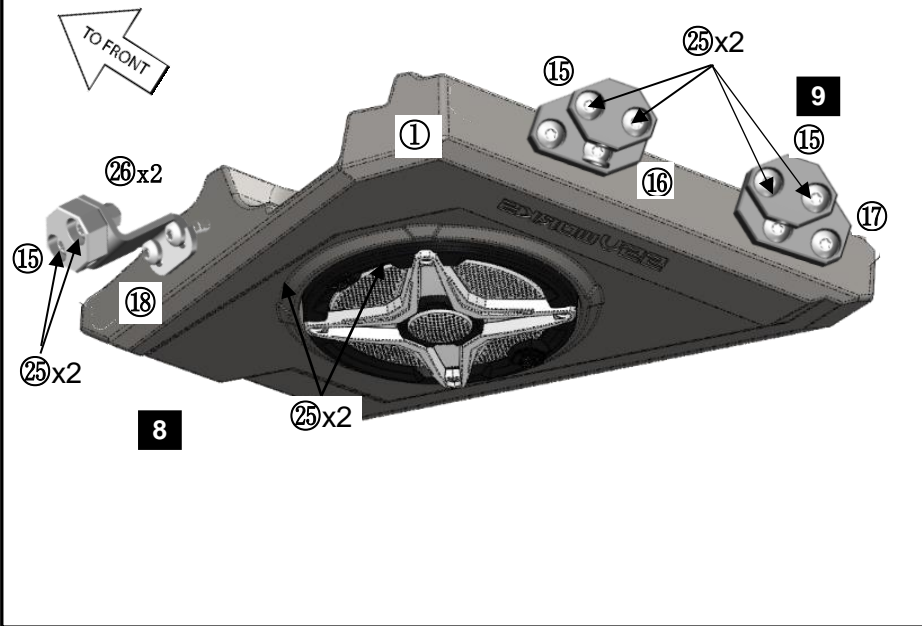
**Fig. 7**

**8** Each Adapter mounts to the Speakers with two **25** M6x16mm Torx Bolts. Torque to 5-8 Nm (4-6 ft-lb.). See Fig. 8.

Install **16** Lug Offset Adapter 1, **17** Lug Offset Adapter 2, **18** Lug Offset Bracket Left to **1** Left Side Speaker. See Fig. 8.

Install **17** Lug Offset Adapter 2, **16** Lug Offset Adapter 1, and **19** Lug Offset Bracket, Right - to

**Fig. 8** Install Lugs, Offset Adapters, and Brackets



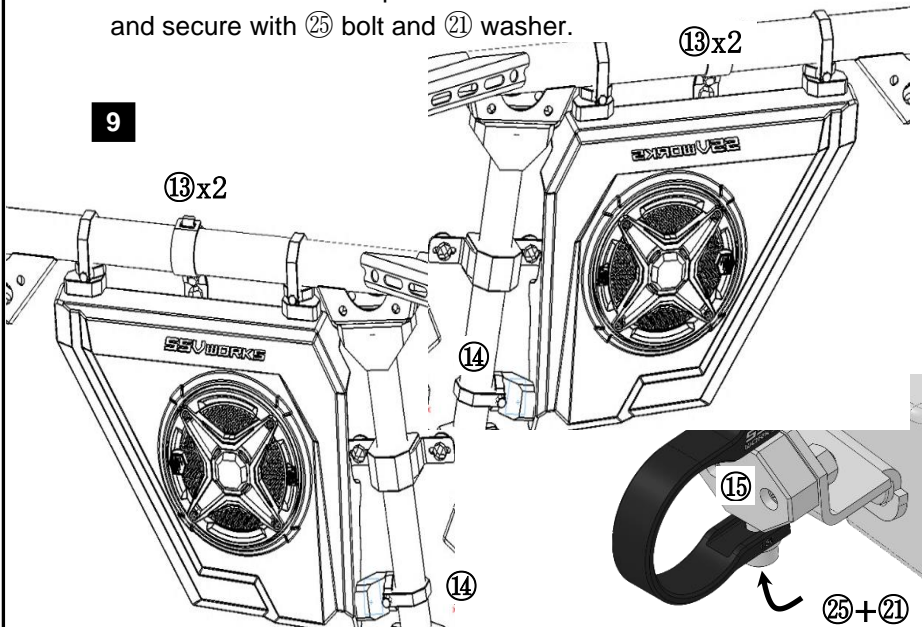
the ② Right Side Speaker.  
**Note:** The Position of the two Offset Adapters ⑱ and ⑲ are mirrored on the Right Side Speaker.

**9** Install one ⑮ Lug to each of the offsets/brackets installed to ① and ② Speaker Pods. The ⑱ Lug Offset Bracket, Right and ⑲ Lug Offset Bracket, Left are fastened to the ⑮ Lugs with ⑳ M6 Nuts. See Fig. 8. Torque to 5-8 Nm (4-6 ft-lb.).

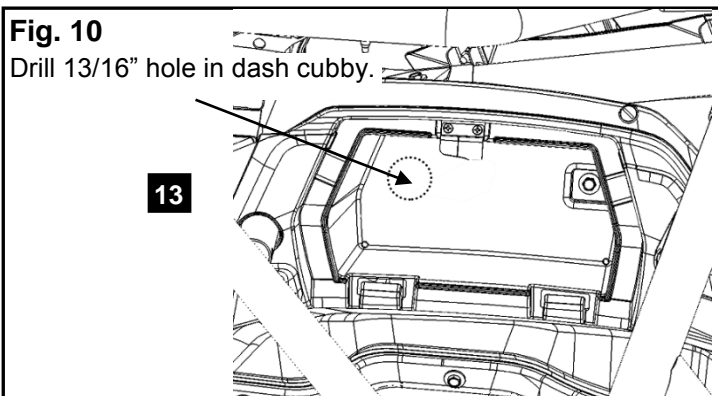
**10** Install two ⑬ 1.75" clamps to the side overhead ROPS tube as shown in Fig. 5. Install ⑭ 1.5" Clamps to the front ROPS tube. Position the ① Left and ② Right Side Speakers so you can attach the clamps. Place one ⑲ M6 Washer on each of the 6 ⑳ M6x45mm Socket Head Cap Screw. Thread the screw in, from the bottom, through each of the ⑮ Lugs and into the threads on the top side of the ⑬ and ⑭ Clamps. Torque all clamps to 8-11 Nm (6-8 ft-lb). See Fig. 9.

**11** Connect ⑦ Front Speaker Cable to ⑥ Main Speaker Cable. Route the ⑦ Front Speaker Cable across the front ROPS tube. Plug the Front Speaker Cable into the ① Left Side Speaker and to the ② Right Side Speaker. Neatly secure wires with ㉘ Cable Ties. **Skip to step 13 if you have not installed the Rear Speaker Pod kit.** See Fig. 10.

**Fig. 9** Install ⑬ and ⑭ Clamps to overhead ROPS tubes and secure with ㉘ bolt and ⑲ washer.

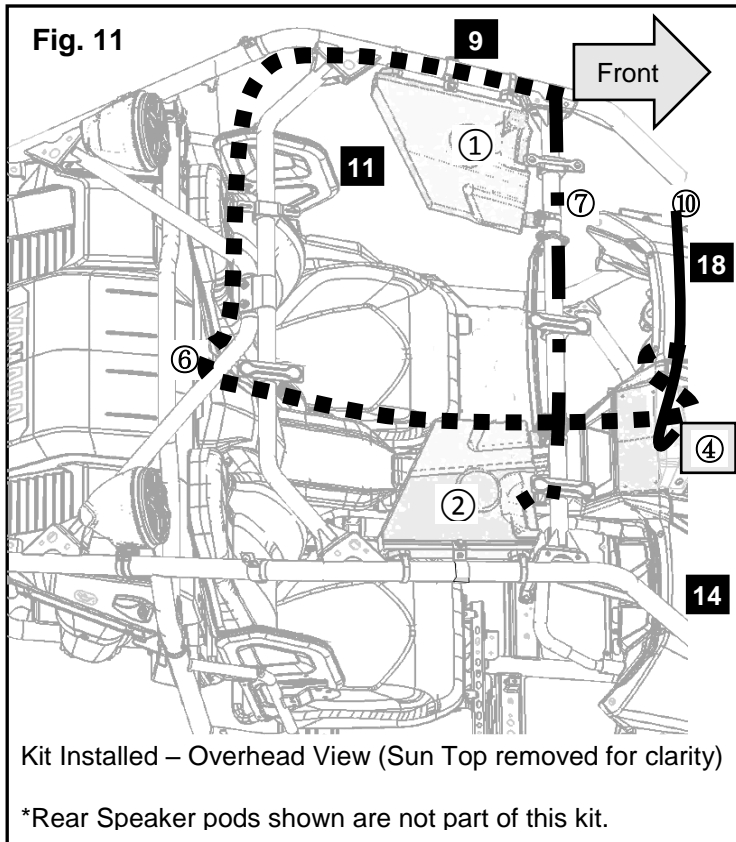


**Fig. 10** Drill 13/16" hole in dash cubby.



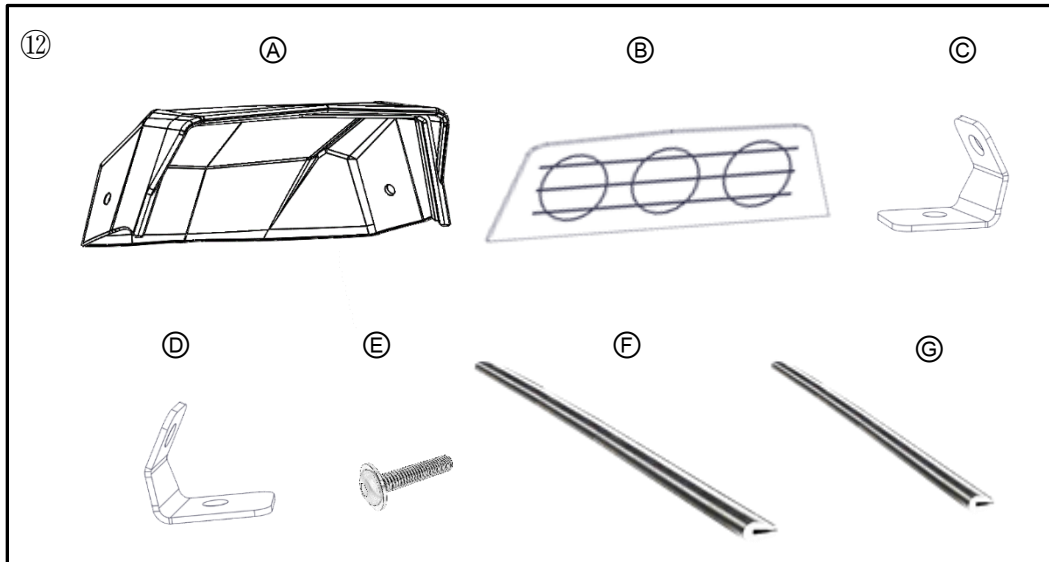
**12** Connect the Rear Speaker Pods (p/n B5H-H81D0-V0) to the Main Speaker Cable. Neatly secure wires with Cable Ties. Refer to Fig.6.

**13** Determine the location for the ⑧ Aux Input plug and drill a 13/16" hole. A preferred location is the inside of the glove box as shown in Fig. 9. Remove the plastic nut, thread the cable through the 13/16" hole, and then reinstall the plastic nut to the input outlet and tighten. Connect aux input wiring to the brain box. See Fig. 10.



**14** Plug the ⑩ Antenna into the ④ Brain Box and seat the plug to ensure connection. Remove the twist tie from the antenna wire and run the cable along a frame tube or wiring harness. Use a zip-tie to secure the cable. See Fig. 11

**Note:** The antenna has one plug that attaches to the brain box, do not attempt to connect the opposite end to anything. Use the stock hardware to reinstall passenger side console cover.

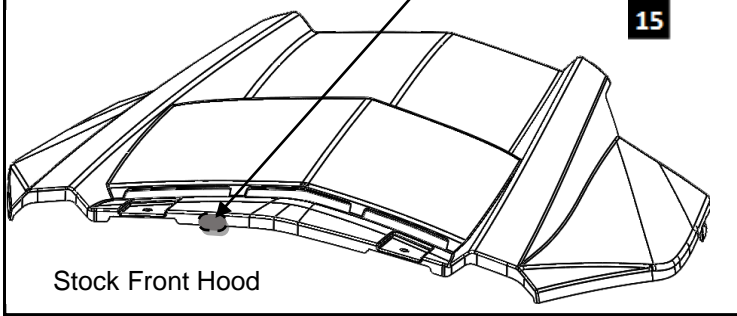


**12 Gauge Pod Assembly and Installation**

Use these images identify the components of the Gauge Pod.

No.	Description	Qty
Ⓐ	Gauge Pod Cover	1
Ⓑ	Face Plate Panel (*back side shown)	1
Ⓒ	Right Pod Mount Bracket	1
Ⓓ	Left Pod Mount Bracket	1
Ⓔ	M6x20mm Bolt	2
Ⓕ	Meter Trim	.380m
Ⓖ	Panel Trim	.265m

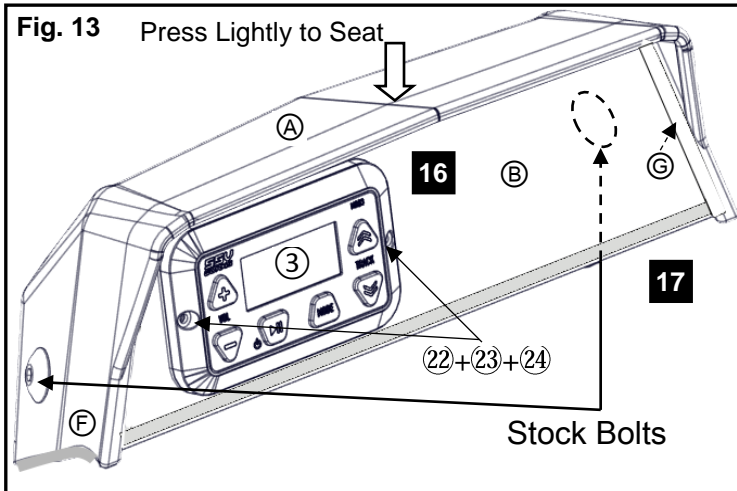
**Fig. 12** Use a rotary tool to remove material on hood lip so that wiring from gauge pod can pass.



**15** Use a rotary tool to grind out a section of the bottom flange of stock front hood. The opening is used to pass wiring from the gauge pod. Use a file or sand paper to smooth. Leave no sharp edges to chafe wiring. See Fig. 12.

**16** Working with the parts in the ⑫ Gauge Pod Kit, install ③ Controller/Tuner onto the Gauge Pod face plate panel (this panel has a rectangular hole pre-cut). Use ④ 3mm bolts, ⑤ 3mm washers, ⑥ 3mm nuts to secure Controller/Tuner to face plate. See Fig. 13.

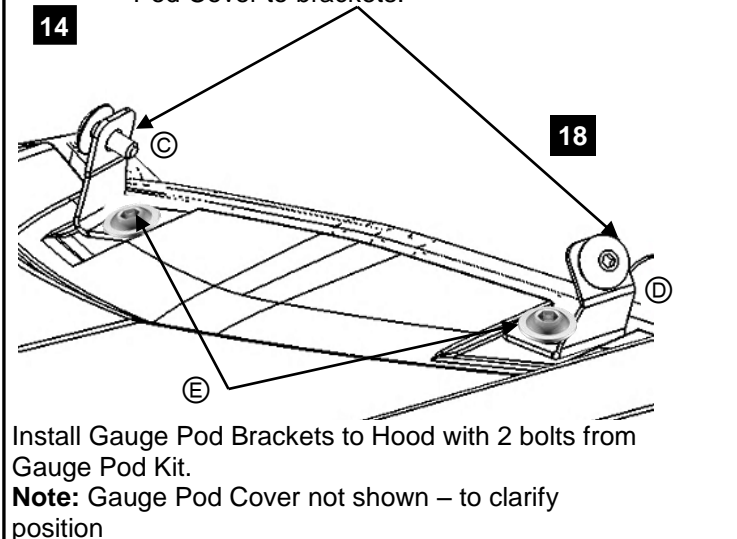
**Fig. 13** Press Lightly to Seat



**17** Install seals from the gauge pod kit to the face plate panel and press face plate panel into gauge pod cover. See Fig. 13. Plug the connector from the ③ Controller/Tuner into the ④ Brain Box.

**18** Replace hood, guide the wire from the Controller / Tuner through the opening you made with the rotary tool in step 15. Install the gauge pod ③ and ④ mount brackets to the hood. Use the two ⑤ bolts supplied in the Gauge Pod Kit to secure the brackets to the hood. Torque to 7Nm (5.1 ft-lbf). Reuse the two bolts removed from the hood to attach the Gauge Pod Cover to the pod mount brackets as shown in Fig.13 and Fig. 14. Torque to 7Nm (5.1 ft-lbf). As you thread in the OE bolts, use light pressure on top of the gauge pod so that the gauge pod seats against hood (Fig. 13).

**Fig. 14** Stock Bolts – repurposed to attach Gauge Pod Cover to brackets.



**19** Test radio/speakers. Check audio system cable connections if you have problems.

**REASSEMBLE AND CELEBRATE SUCCESS**

**20** Tighten all cable ties. Install any other parts you removed. Refer to the service manual for torque settings.

**MAINTENANCE:**

Periodically, check torque and tightness on all hardware. If loose hardware is found, re-torque or re-tighten.

**CARE AND CLEANING:**

Keep the speakers dry.

**CUSTOMER SERVICE:**

For further information see your Yamaha dealer.

**ESTIMATED TIME TO INSTALL: 1.5 HR**

---

**WARNING: Use 8.5" x 11" paper. When you print this PDF file, be sure to select PRINT 'actual size'. Do not print with settings set to 'Fit' or 'Shrink Oversized Pages' or 'Custom Scale'.**

---

---

This line is 127 mm (5.0") long. Measure this line to verify the template on page 8 prints correctly.

Template is on last page.



